

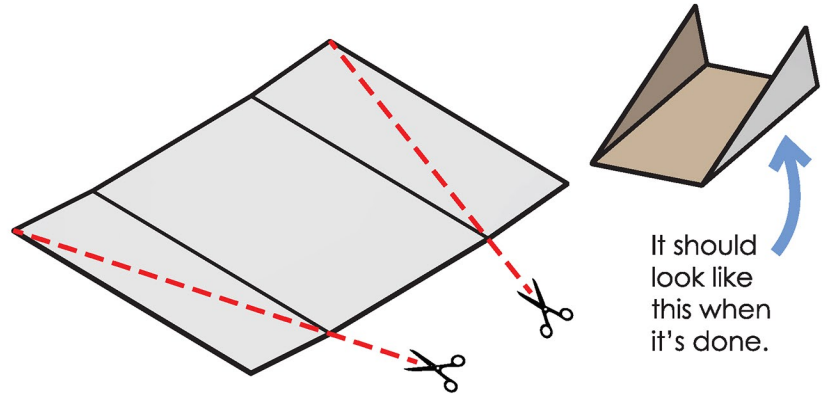
RAMP BUILD

Here's an easy way to build a ramp to slide or roll your projects down.

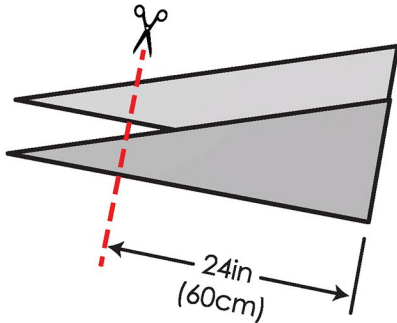
- 1 Get a tri-fold display board that is approximately 36in x 48in (91cm x 121cm). Corrugated boards work okay. Foam core boards work better.



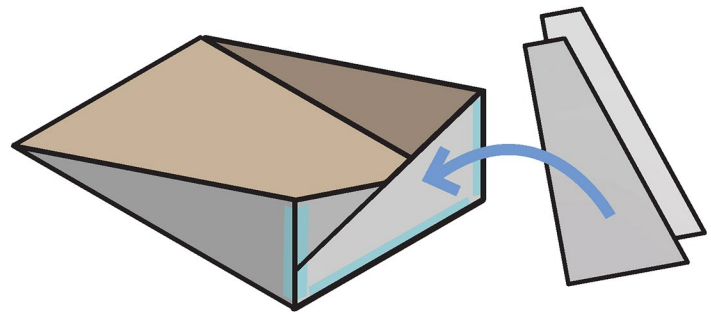
- 2 Cut the two side panels from corner to corner. Save the cut-off triangles.



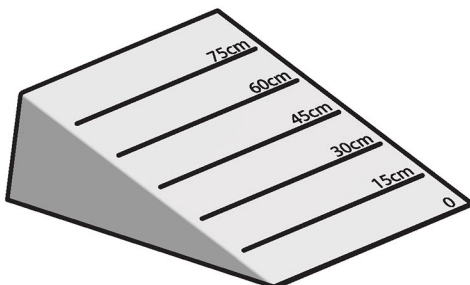
- 3 Trim the cut-off triangles, to make them 24 (60cm) long.



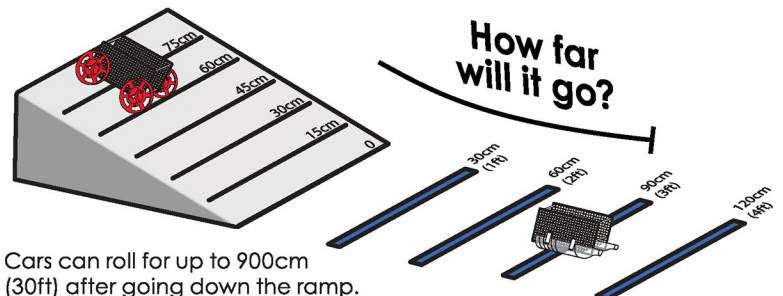
- 4 Tape the cut triangles onto the back of the ramp. This will strengthen the ramp and keep it from folding over.



- 5 Measure and mark every 15cm (6in), from the bottom of the ramp. These will be the starting marks for vehicles that go down the ramp.



- 6 Use tape to mark distances away from the ramp on the floor. These will be used to measure how far vehicles travel after going down the ramp.



You're done! Find activities to use the ramp with at teachergeek.com