

CRITERIA

How fast can your sail car go?

Your sail car must travel down the track in the shortest time.

The fans must be the only power source for your car.

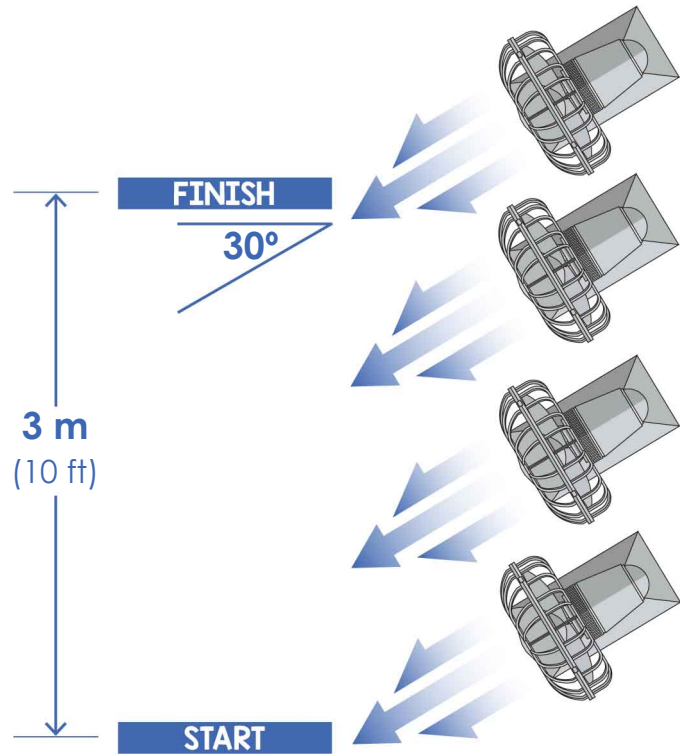
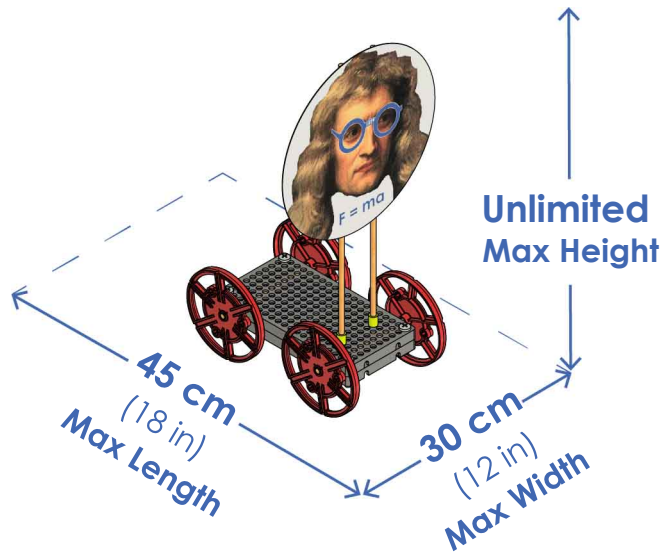


Check out our immersive challenge videos by scanning the QR Code or going to teachergeek.com/sailcar

CONSTRAINTS

(rules and limits for your design)

Dimensions: The maximum size your racer can be.



Components: The maximum number of TeacherGeek components that can be used on your racer.

- 4 Wheels
- 2 Hole Plates
- 4 Strips
- 9 Dowels
- 8 cm (3 in) Slide Stop
- 5 Blocks
- 4 Screws
- 4 Tire Rubber Bands

There is no limit on recycling materials.

