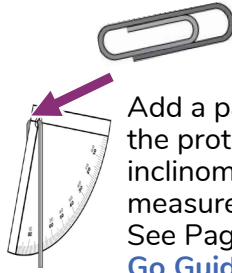
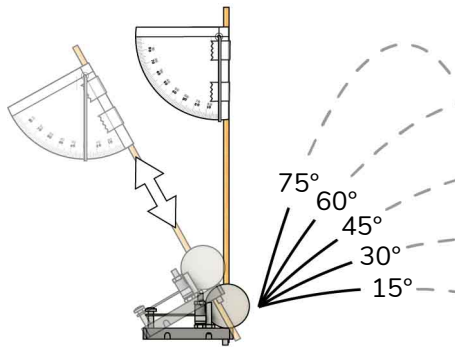


Cut out the rulers and protractors to add more precision to your design!



Add a paperclip or wire to the protractor to make an inclinometer (which measures launch angle). See Page 4 of the [Go Guide](http://teachergeek.com/launcher2.0), available at [teachergeek.com/launcher2.0](http://teachergeek.com/launcher2.0)



Use the protractor or ruler to measure wind-up distance.

